

Flip-Chips • Planar Package 倒装芯片 • 平面封装 Single Color LEDs • High Power 单色光源 • 高功率

Main Applications:
主要应用领域:

- ✓ new generation of outdoor high-pole indoor high-shed projection lighting for production hall, logistics areas, warehouses, roads, car parks, highways, ports, runways, squares etc.
新一代高效聚光室外高杆室内高棚投射照明, 适用于工矿, 仓储, 物流, 道路, 停车场, 广场, 机场, 港口, 加油站等
- ✓ long-distance searching and spot lighting for stage, studio, photography, landmarks, architectural, facade illumination, military and police search lights etc.
长距离探照与聚光照明, 适用于舞台, 演艺, 摄影, 影视, 地标, 建筑, 景观, 军警探照等
- ✓ directional projection and beam lighting with small angle for projection, light beam, dyeing, pattern, audience, business, hotel, museum, etc.
小角度方向性投射类照明, 适用于投射, 光束, 染色, 图案, 观众, 商业, 酒店, 博物馆等

S800

Long-Distance Searching and Spot Lighting 长距离探照与聚光照明

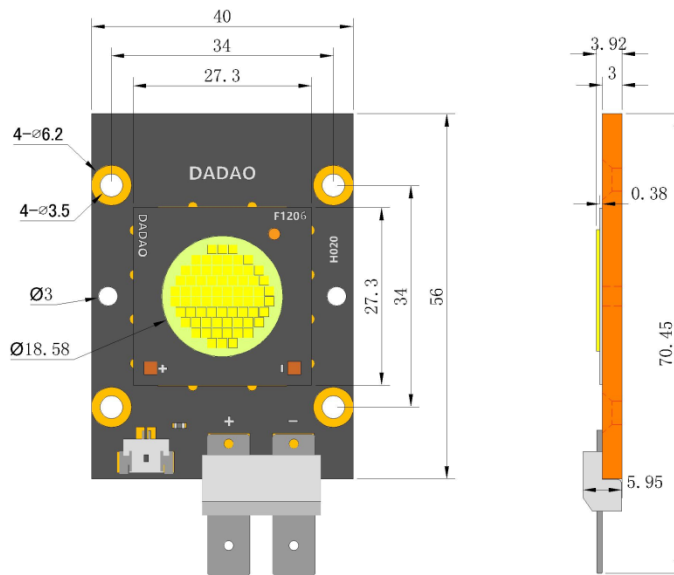


Main Parameters	Typical Values
Voltage (V)	36
Current (mA)	5750
Max. Power (W) <small>Note</small>	292
LES (mm)	18.5
CCT (K) / Ra	6020-7040 / >90
Color / Dominant Wavelength (nm)	N/A
Matched Cu Board	H020-4056 H040-4048 H049-4056 H047-5262 (12P接插件)

Note: The maximum power only for reference and related to the heat dissipation power of the radiator, the thermal resistance between the radiator and the light source and the ambient temperature.

Main Features

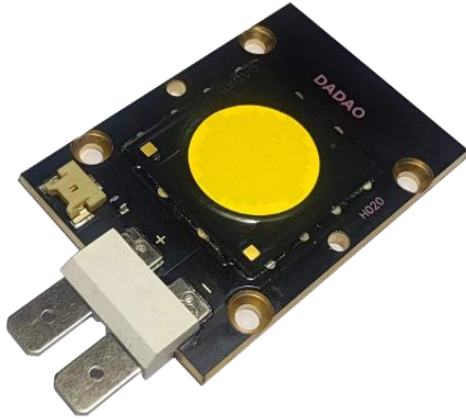
- High Power Single Color Integrated Lighting Source;
- Planar Package Using AlN Ceramic Substrate for Low Heat Resistance;
- Flip Chips with No Gold Wires for High Integration & Good Reliability;
- Other Power, LES, Color Combination, CCT and Ra Available on Request;
- Applicable to Directional Projection Lighting。



【 Data in table, photos & diagrams for reference only】

S802

Long-Distance Searching and Spot Lighting 长距离探照与聚光照明

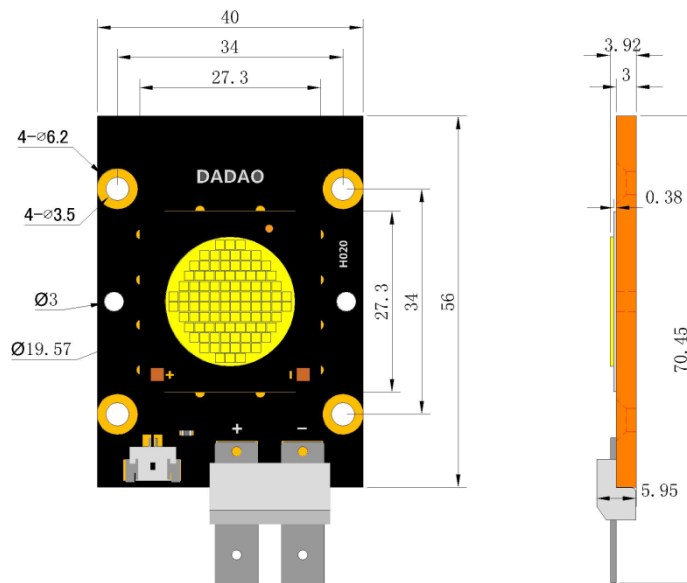


Main Parameters	Typical Values
Voltage (V)	36
Current (mA)	7675
Max. Power (W) ^{Note}	390
LES (mm)	19
CCT (K) / Ra	6020-7040 / >90
Color / Dominant Wavelength (nm)	N/A
Matched Cu Board	H020-4056 H040-4048 H049-4056 H047-5262 (12P接插件)

Note: The maximum power only for reference and related to the heat dissipation power of the radiator, the thermal resistance between the radiator and the light source and the ambient temperature.

Main Features

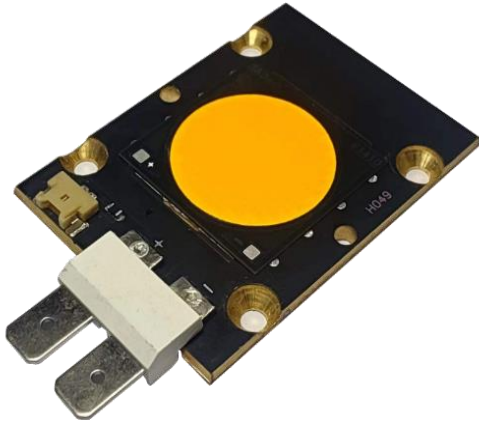
- High Power Single Color Integrated Lighting Source;
- Planar Package Using AlN Ceramic Substrate for Low Heat Resistance;
- Flip Chips with No Gold Wires for High Integration & Good Reliability;
- Other Power, LES, Color Combination, CCT and Ra Available on Request;
- Applicable to Directional Projection Lighting。



【 Data in table, photos & diagrams for reference only】

S832

Long-Distance Searching and Spot Lighting 长距离探照与聚光照明

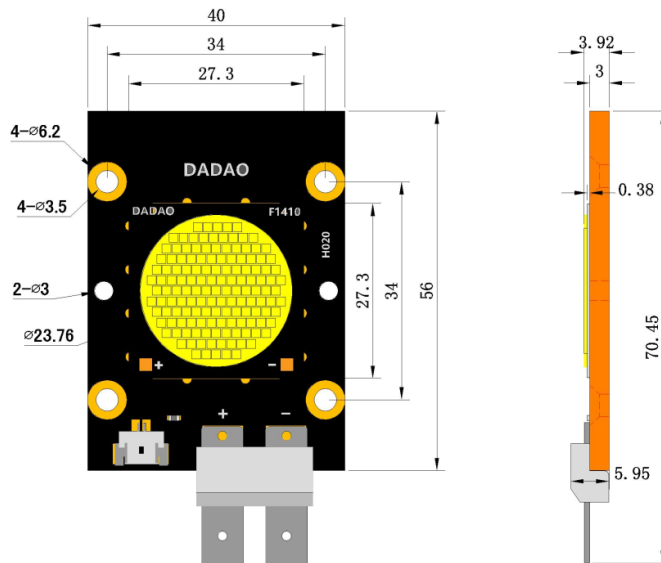


Main Parameters	Typical Values
Voltage (V)	42
Current (mA)	10450
Max. Power (W) <small>Note</small>	568
LES (mm)	24
CCT (K) / Ra	6020-7040 / >90
Color / Dominant Wavelength (nm)	N/A
Matched Cu Board	H020-4056 H040-4048 H049-4056 H047-5262 (12P接插件)

Note: The maximum power only for reference and related to the heat dissipation power of the radiator, the thermal resistance between the radiator and the light source and the ambient temperature.

Main Features

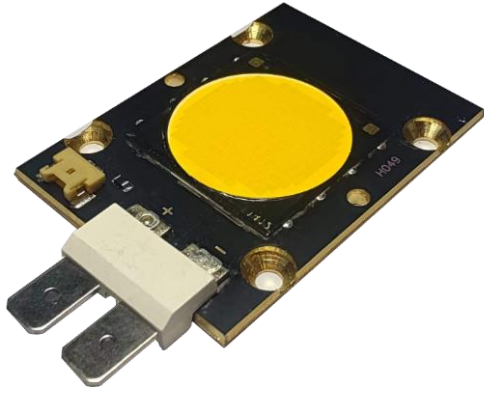
- High Power Single Color Integrated Lighting Source;
- Planar Package Using AlN Ceramic Substrate for Low Heat Resistance;
- Flip Chips with No Gold Wires for High Integration & Good Reliability;
- Other Power, LES, Color Combination, CCT and Ra Available on Request;
- Applicable to Directional Projection Lighting。



【 Data in table, photos & diagrams for reference only】

S830

Long-Distance Searching and Spot Lighting 长距离探照与聚光照明

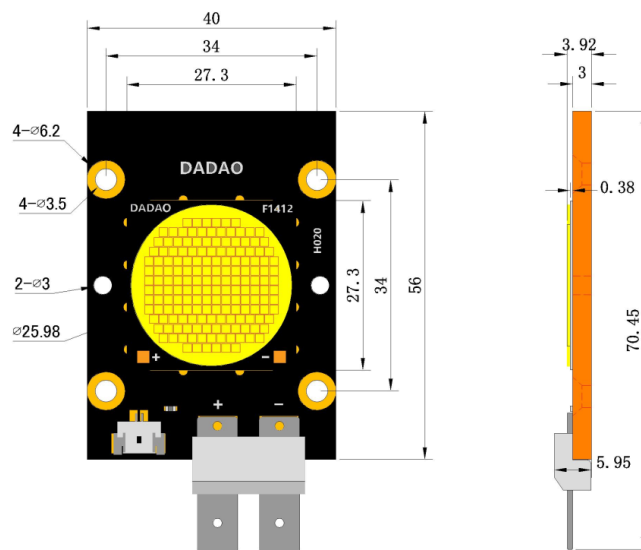


Main Parameters	Typical Values
Voltage (V)	42
Current (mA)	11525
Max. Power (W) <small>Note</small>	682
LES (mm)	26
CCT (K) / Ra	6020-7040 / >90
Color / Dominant Wavelength (nm)	N/A
Matched Cu Board	H020-4056 H040-4048 H049-4056 H047-5262 (12P接插件)

Note: The maximum power only for reference and related to the heat dissipation power of the radiator, the thermal resistance between the radiator and the light source and the ambient temperature.

Main Features

- High Power Single Color Integrated Lighting Source;
- Planar Package Using AlN Ceramic Substrate for Low Heat Resistance;
- Flip Chips with No Gold Wires for High Integration & Good Reliability;
- Other Power, LES, Color Combination, CCT and Ra Available on Request;
- Applicable to Directional Projection Lighting。



【 Data in table, photos & diagrams for reference only】

S820

Long-Distance Searching and Spot Lighting 长距离探照与聚光照明

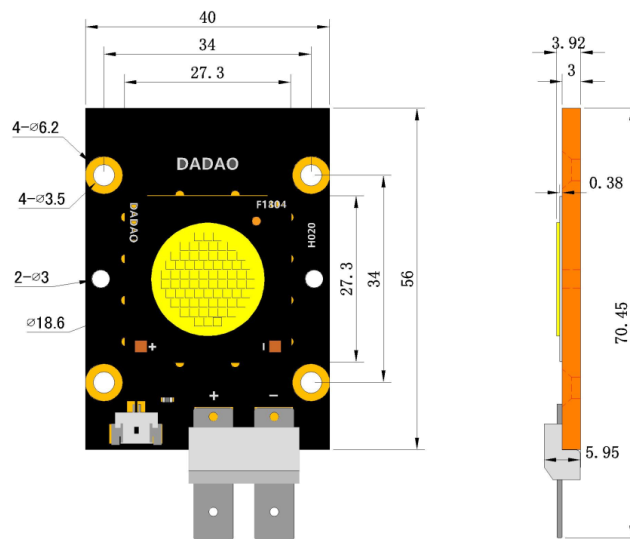


Main Parameters	Typical Values
Voltage (V)	54
Current (mA)	3825
Max. Power (W) <small>Note</small>	292
LES (mm)	18.6
CCT (K) / Ra	6200-7040 / >90
Color / Dominant Wavelength (nm)	N/A
Matched Cu Board	H020-4056 H040-4048 H049-4056 H047-5262 (12P接插件)

Note: The maximum power only for reference and related to the heat dissipation power of the radiator, the thermal resistance between the radiator and the light source and the ambient temperature.

Main Features

- High Power Single Color Integrated Lighting Source;
- Planar Package Using AlN Ceramic Substrate for Low Heat Resistance;
- Flip Chips with No Gold Wires for High Integration & Good Reliability;
- Other Power, LES, Color Combination, CCT and Ra Available on Request;
- Applicable to Directional Projection Lighting。



【 Data in table, photos & diagrams for reference only】

S1292

Long-Distance Searching and Spot Lighting 长距离探照与聚光照明

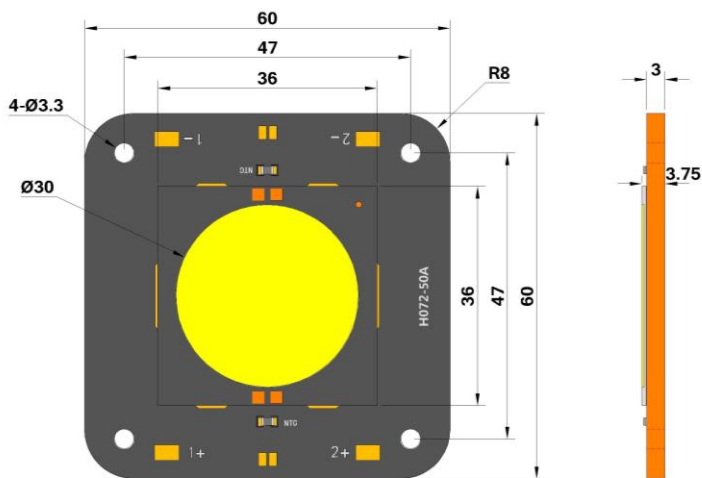


Main Parameters	Typical Values
Voltage (V)	48
Current (mA)	13500
Max. Power (W) ^{Note}	975
LES (mm)	30
CCT (K) / Ra	5450-5950 / >95
Color / Dominant Wavelength (nm)	N/A
Matched Cu Board	H069-5572 H072-6060

Note: The maximum power only for reference and related to the heat dissipation power of the radiator, the thermal resistance between the radiator and the light source and the ambient temperature.

Main Features

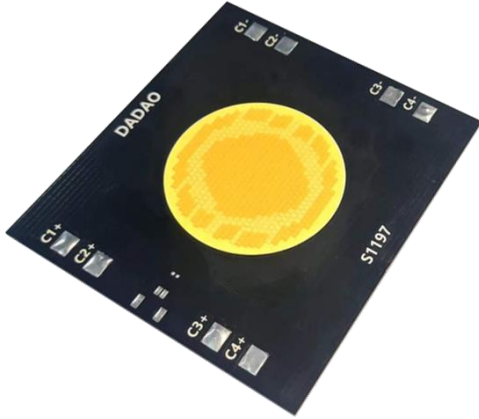
- High Power Single Color Integrated Lighting Source;
- Planar Package Using AlN Ceramic Substrate for Low Heat Resistance;
- Flip Chips with No Gold Wires for High Integration & Good Reliability;
- Other Power, LES, Color Combination, CCT and Ra Available on Request;
- Applicable to Directional Projection Lighting。



【 Data in table, photos & diagrams for reference only】

S1197

Long-Distance Searching and Spot Lighting 长距离探照与聚光照明

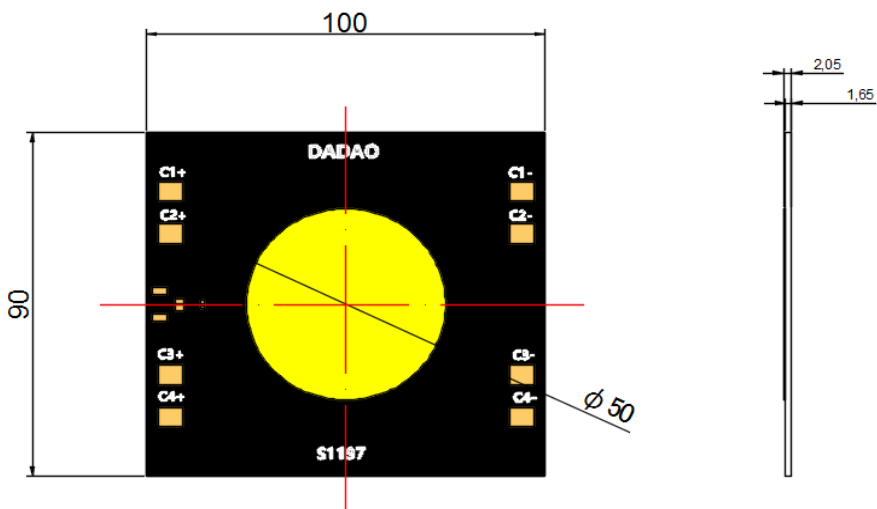


Main Parameters	Typical Values
Voltage (V)	96
Current (mA)	13400
Max. Power (W) ^{Note}	1666
LES (mm)	49
CCT (K) / Ra	5500-5900 / >96
Color / Dominant Wavelength (nm)	N/A
Matched Cu Board	N/A

Note: The maximum power only for reference and related to the heat dissipation power of the radiator, the thermal resistance between the radiator and the light source and the ambient temperature.

Main Features

- Ultra-High Power Single Color Integrated Lighting Source;
- Planar Package Using AlN Ceramic Substrate for Low Heat Resistance;
- Flip Chips with No Gold Wires for High Integration & Good Reliability;
- Other Power, LES, Color Combination, CCT and Ra Available on Request;
- Applicable to Directional Projection Lighting。



【 Data in table, photos & diagrams for reference only】

S679

Long-Distance Searching and Spot Lighting 长距离探照与聚光照明

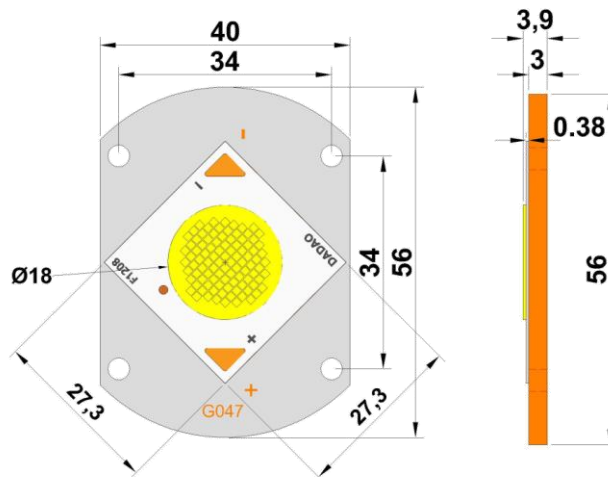


Main Parameters	Typical Values
Voltage (V)	36
Current (mA)	4825
Max. Power (W) <small>Note</small>	244
LES (mm)	18
CCT (K) / Ra	6020-7040 / >95
Color / Dominant Wavelength (nm)	N/A
Matched Cu Board	G002/G003-5503 G006-4056 G007/G008-4056 G022-5056 G047-5603

Note: The maximum power only for reference and related to the heat dissipation power of the radiator, the thermal resistance between the radiator and the light source and the ambient temperature.

Main Features

- High Power Single Color Integrated Lighting Source;
- Planar Package Using AlN Ceramic Substrate for Low Heat Resistance;
- Flip Chips with No Gold Wires for High Integration & Good Reliability;
- Other Power, LES, Color Combination, CCT and Ra Available on Request;
- Applicable to Directional Projection Lighting。



【 Data in table, photos & diagrams for reference only】